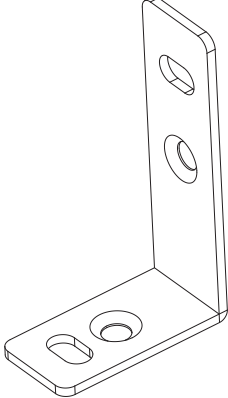
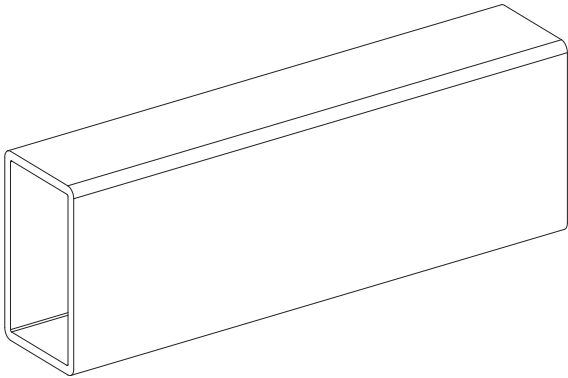



Alusions Parts

Product	Purpose	Part
K-33	L Bracket used to fix the Alusions onto the Joist	
CAF09	Alusions Beam	

Alusions Screws (For Metal Joist)

The table below shows the screws recommended to use for the installation, but not included.

Product	Purpose	Part
#8 x 13/16" Stainless Steel SS401 (Phillis Recess Pan head)	Used when 1. Fastening the L Bracket (K-33) onto the Joist. 2. Fixing the Alusions Beam onto the joist.	

*Note: All screws are based on our recommendation and if the installation requires something different than what is shown, a professional should be consulted before installing.

The following installation guide will use the above screw sizes.

Alusions Beam Horizontal Installation Installation Procedure

Step 1: Measure and Chalk the joist

Step 2: Fastening the L Bracket (K-33) onto the joist

Step 3: Fixing the joist onto the wall or support structure

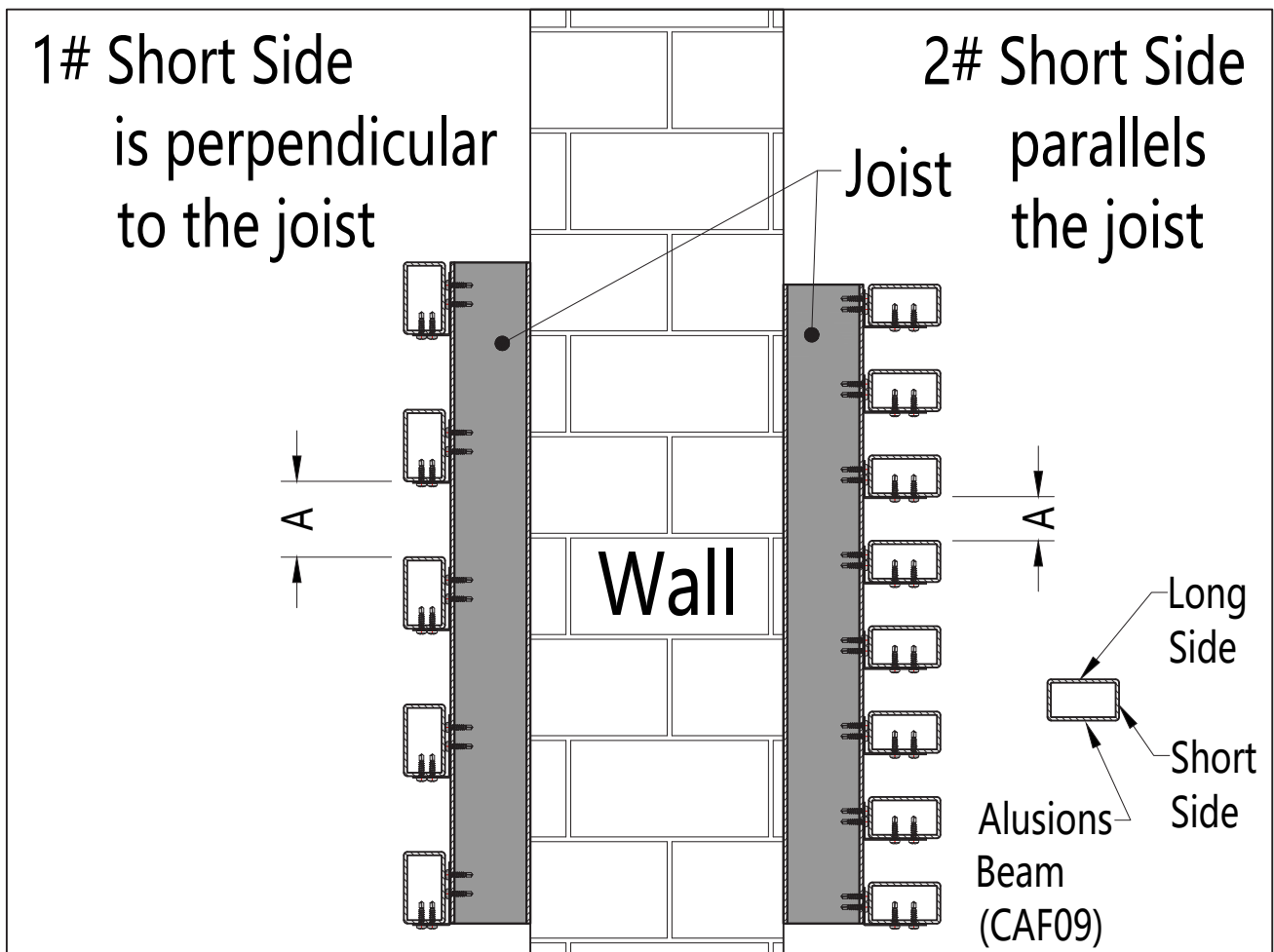
Step 4: Installing the Alusions Beam

Two options for the Alusions Beam horizontal installation are recommended, as shown in [Diagram A](#).

Option 1: The Alusions Beam's short side is perpendicular to the joist.

Option 2: The Alusions Beam's short side parallels the joist.

Design the optimal distance, A, between the Alusions Beam to obtain your desired screen outlook, as shown in [Diagram A](#).



[Diagram A](#)

Option 1# Installation

The maximum joist span is 59" (1.5m) OC, and the maximum cantilever on both ends is 11-13/16" (300mm), as shown in **Diagram 1**.

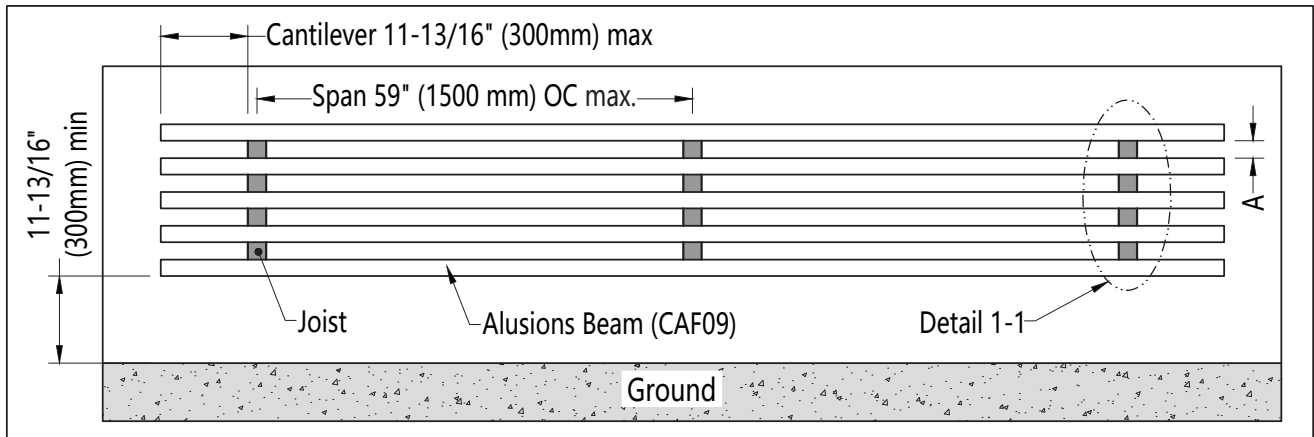
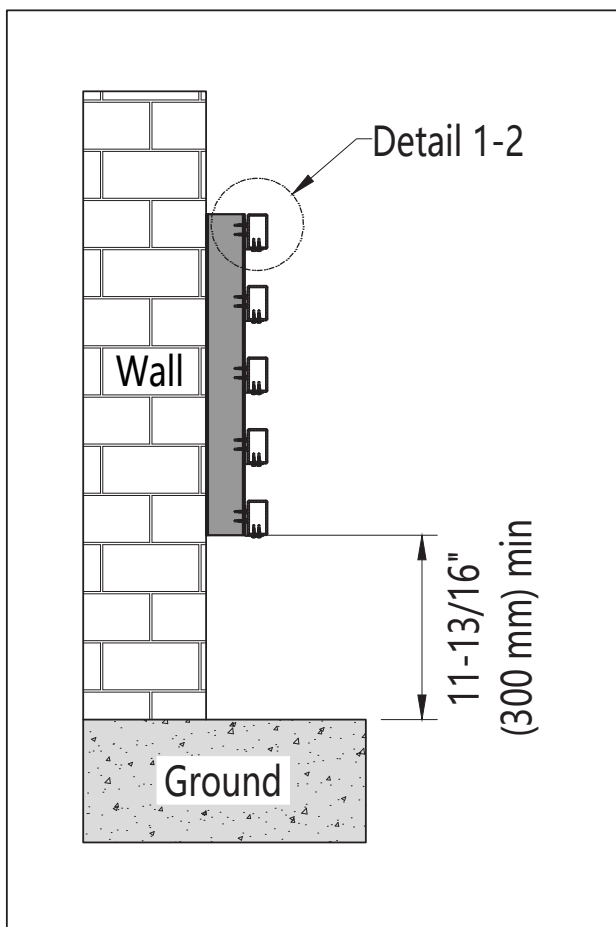


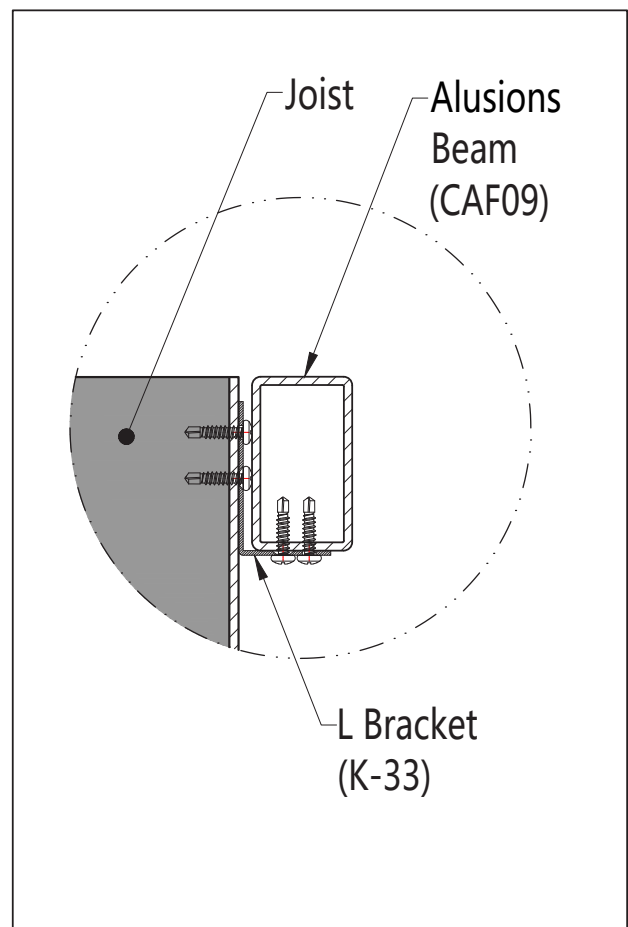
Diagram 1

The distance underneath the lowest Alusions Beam to the ground is 11-13/16" (300mm), as shown in **Detail 1-1**.



Detail 1-1

The Alusions Beam is fastened onto the joist using the L Bracket (K-33), as shown in **Detail 1-2**.



Detail 1-2

- 1 Measure and chalk the joist according to the joist span specified, 59" (1.5m) max., as shown in Diagram 2.

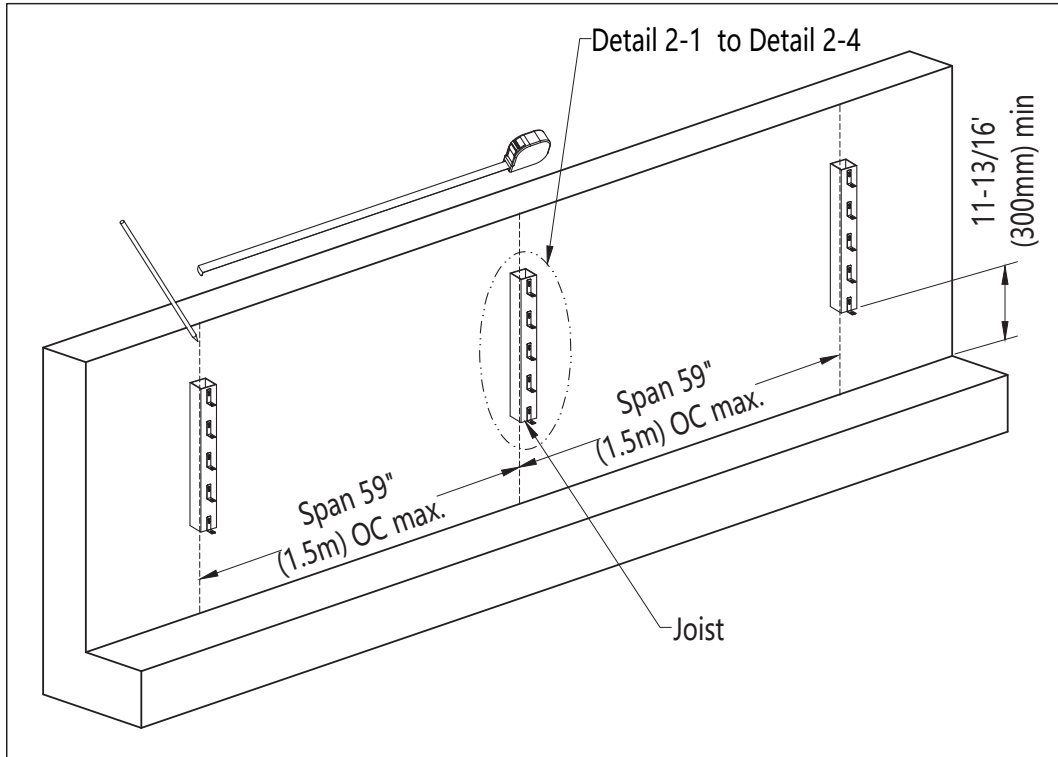
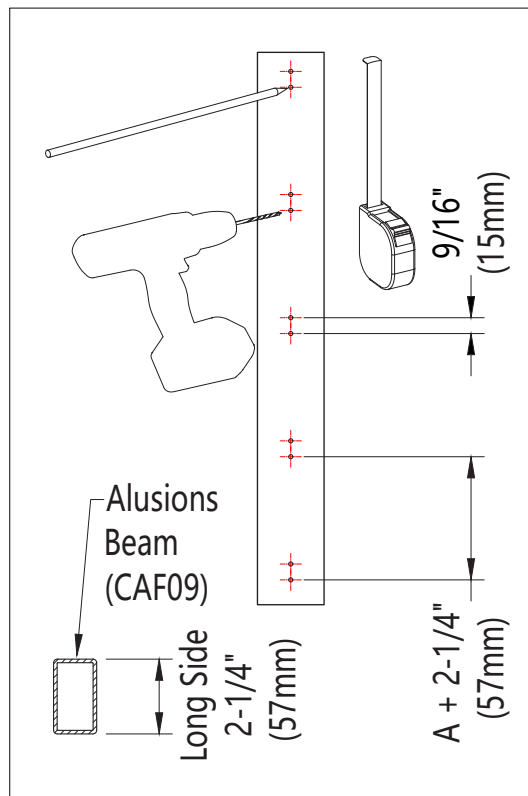


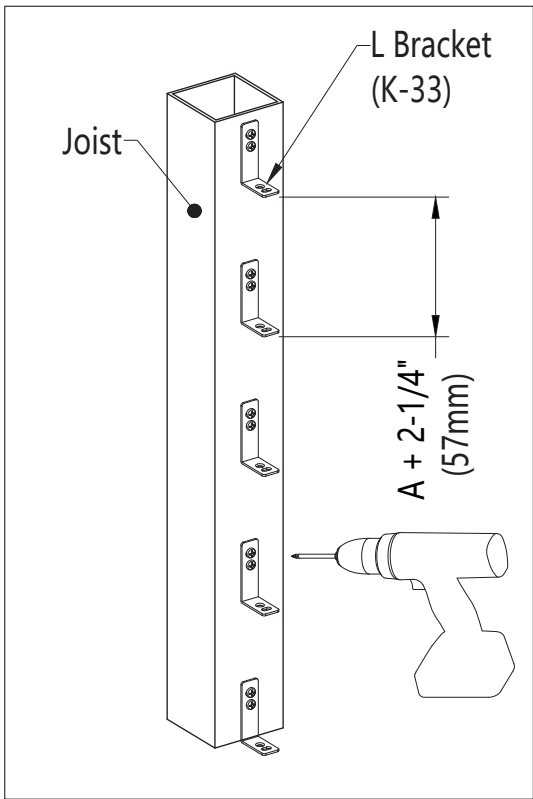
Diagram 2

- 2 Pre-drill the screw holes on the joist according to the gap distance A plus the length of the long side of the Alusions Beam (CAF09) and the hole position of the L Bracket (K-33), as shown in Detail 2-1.

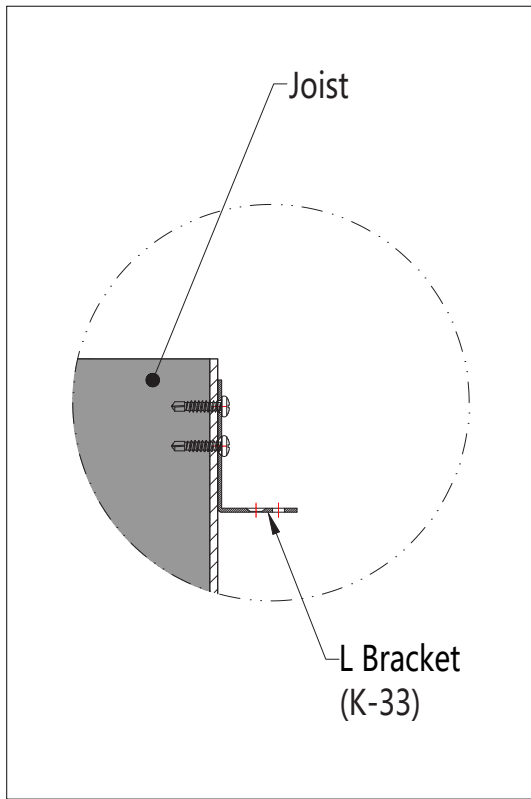


Detail 2-1

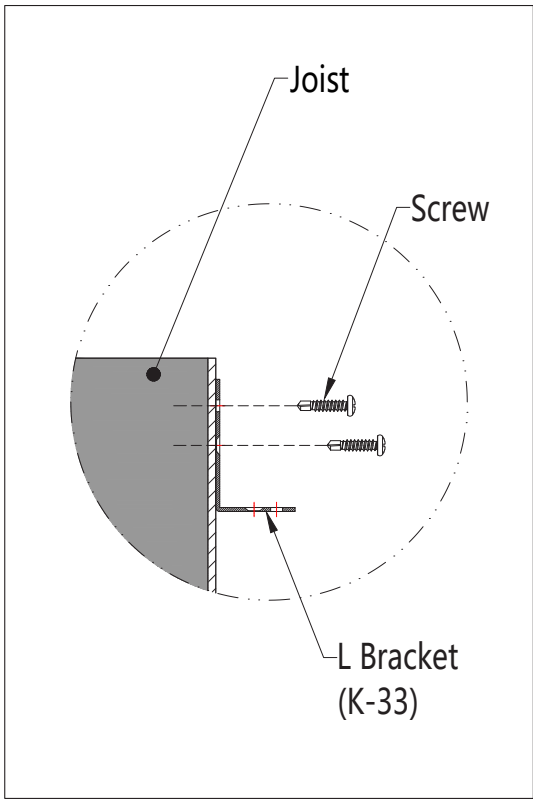
- 3 Fasten the L Bracket (K-33) onto the joist with screws, as shown in **Detail 2-2**, **Detail 2-3** and **Detail 2-4**. Then, fix the joists onto the wall or support structure with screws, as shown in **Diagram 2**.



Detail 2-2



Detail 2-4



Detail 2-3

- 4 Install the Alusions Beam (CAF09) onto the joists, as shown in [Diagram 3](#).

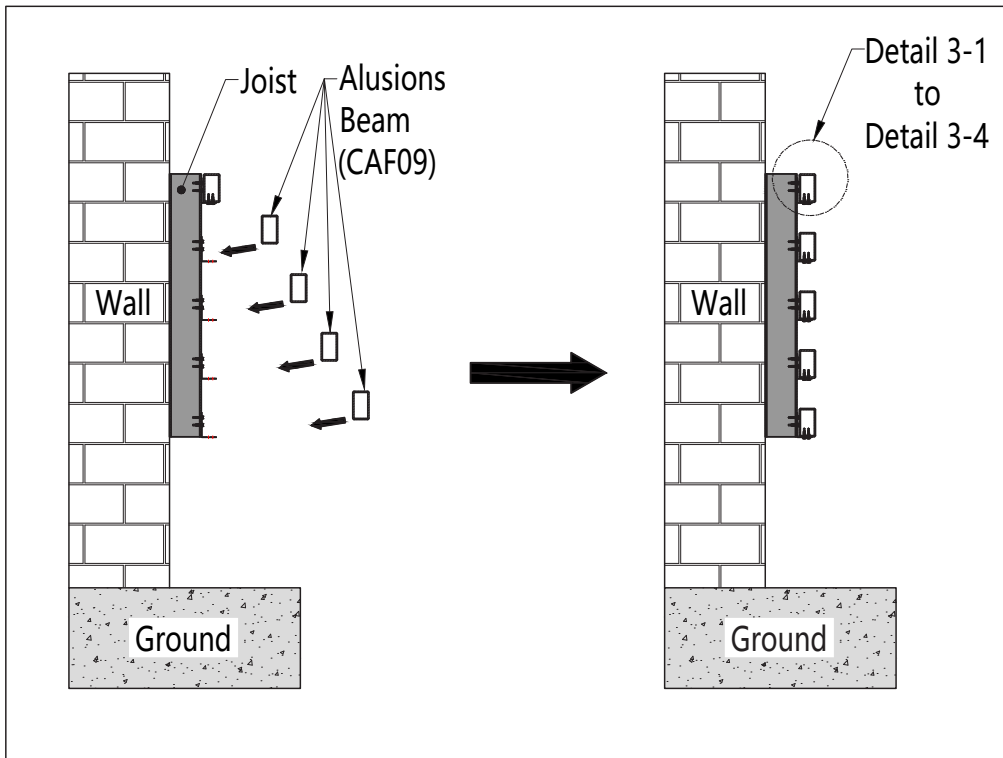
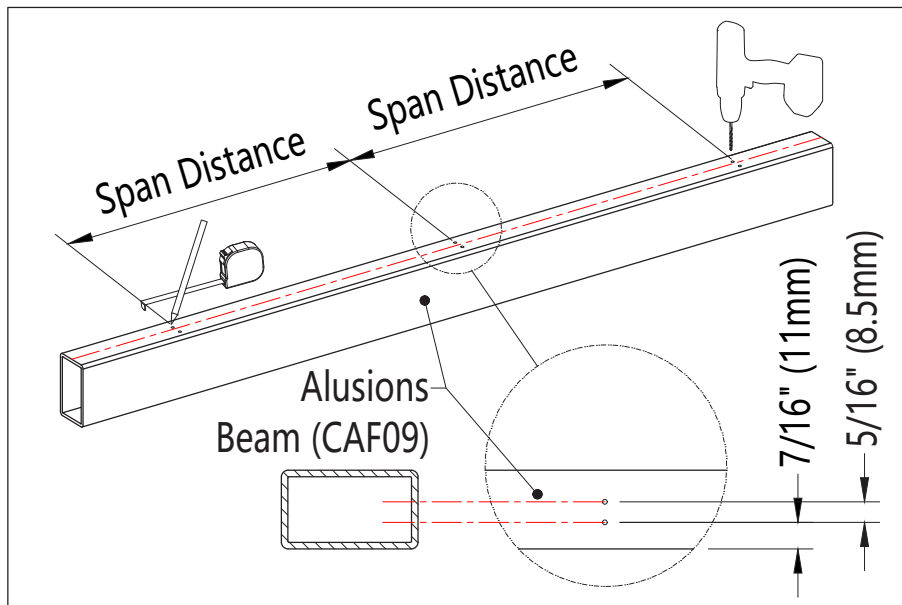


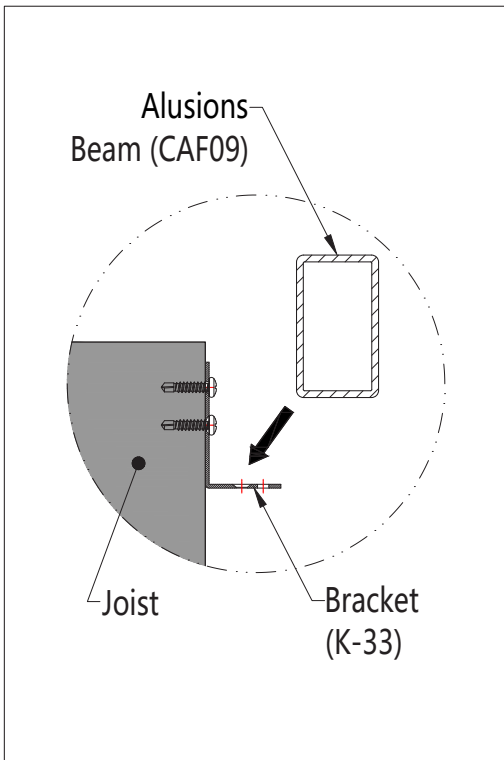
Diagram 3

Pre-drill the screw holes on the Alusions Beam (CAF09) according to the joist span distance and the hole position of the L Bracket (K-33), as shown in [Detail 3-1](#).



Detail 3-1

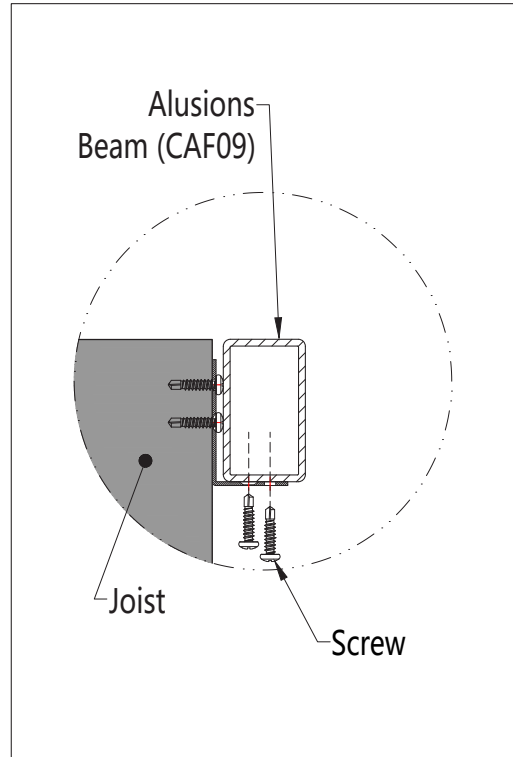
Put the Alusions Beam (CAF09) on the L Bracket (K-33) in place, as shown in **Detail 3-2**.



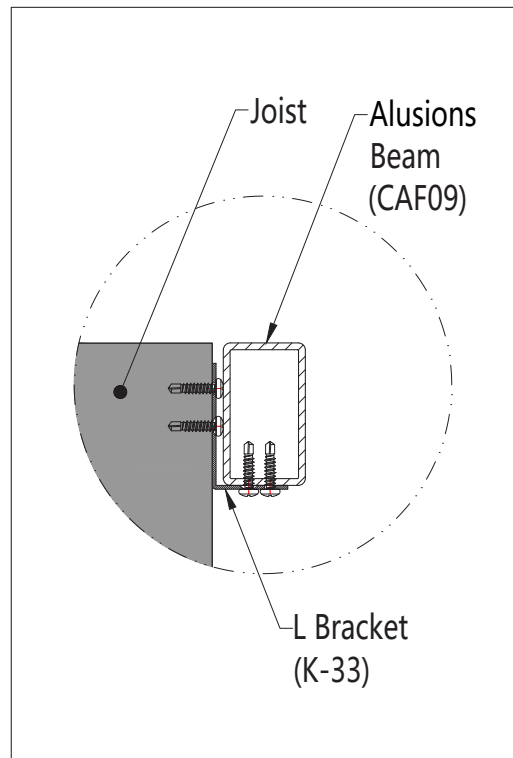
Detail 3-2

Use screws to fix the Alusions Beam (CAF09) security onto the L Bracket (K-33), as shown in **Detail 3-3** and **Detail 3-4**.

Repeat the above procedures to install the remaining Alusions Beams.



Detail 3-3



Detail 3-4

Option 2# Installation

The maximum joist span is 59" (1.5m) OC, and the maximum cantilever on both ends is 11-13/16" (300mm), as shown in **Diagram 4**.

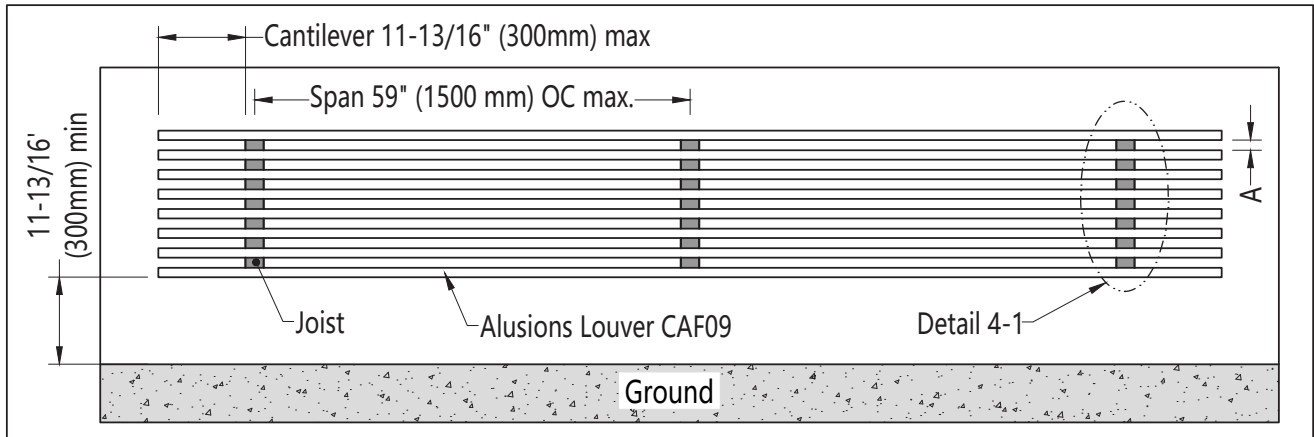
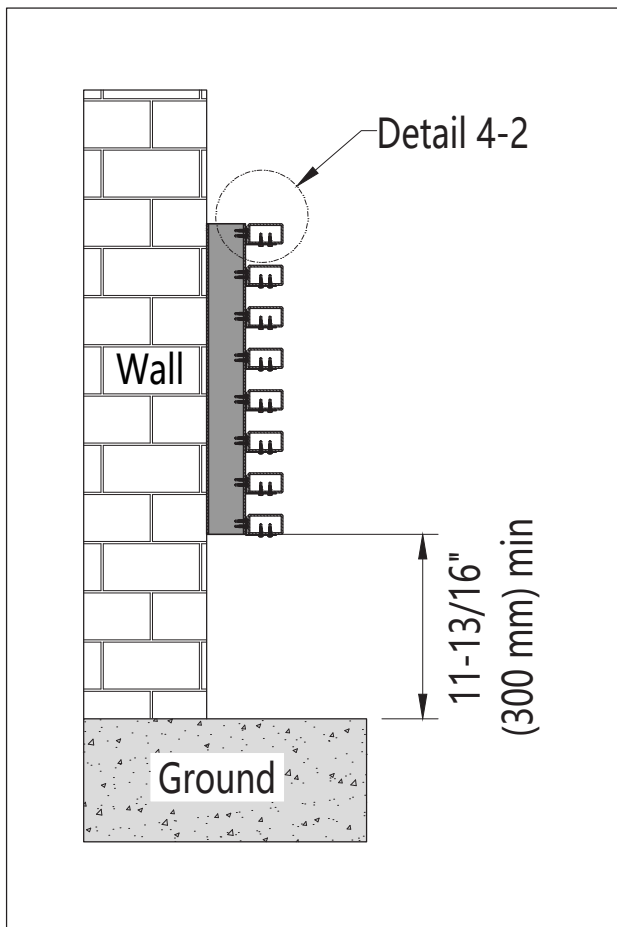


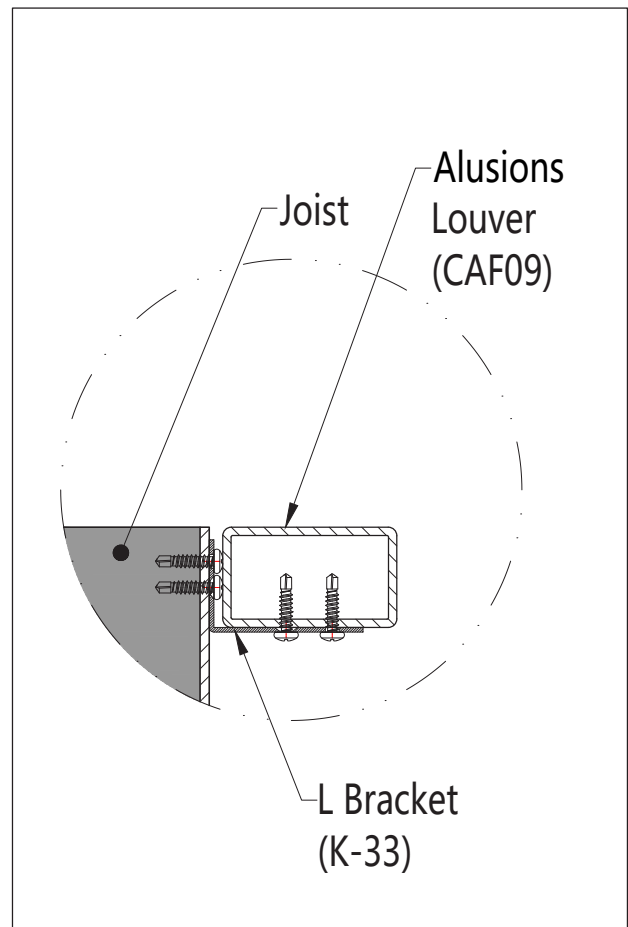
Diagram 4

The distance underneath the lowest Alusions beam to the ground is 11-13/16" (300mm), as shown in **Detail 4-1**.



Detail 4-1

The Alusions Beam is fastened onto the joist using the L Bracket (K-33), as shown in **Detail 4-2**.



Detail 4-2

- 1 Measure and chalk the joist according to the joist span specified, 59" (1.5m) max., as shown in **Diagram 5**.

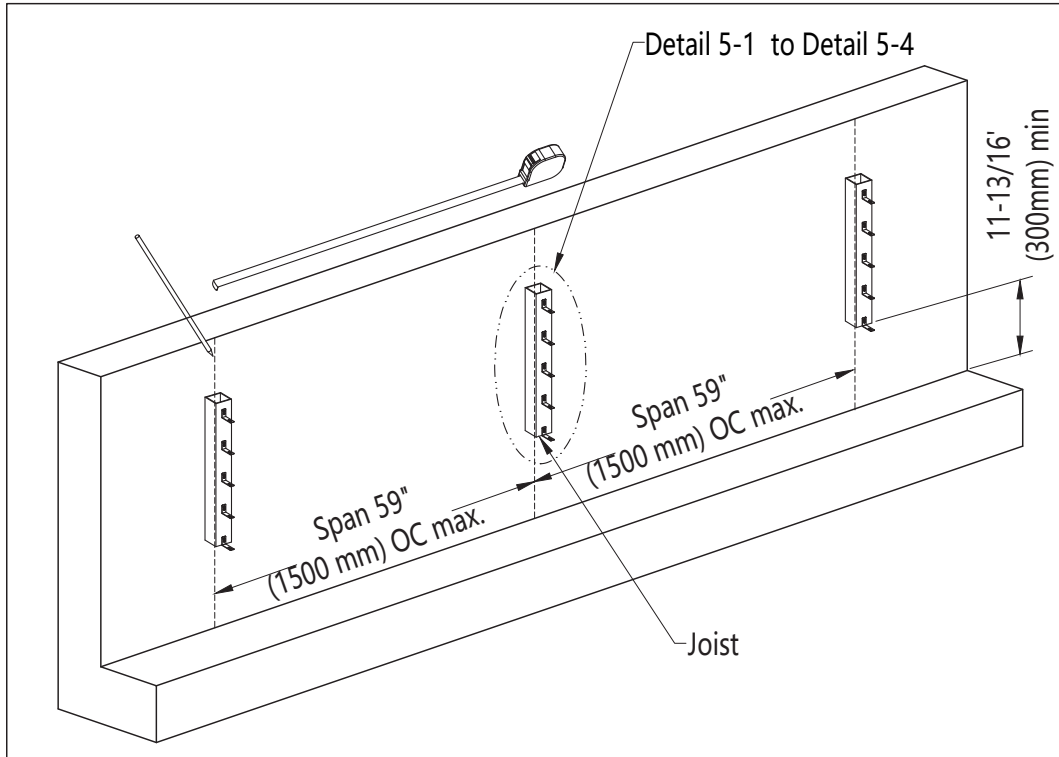
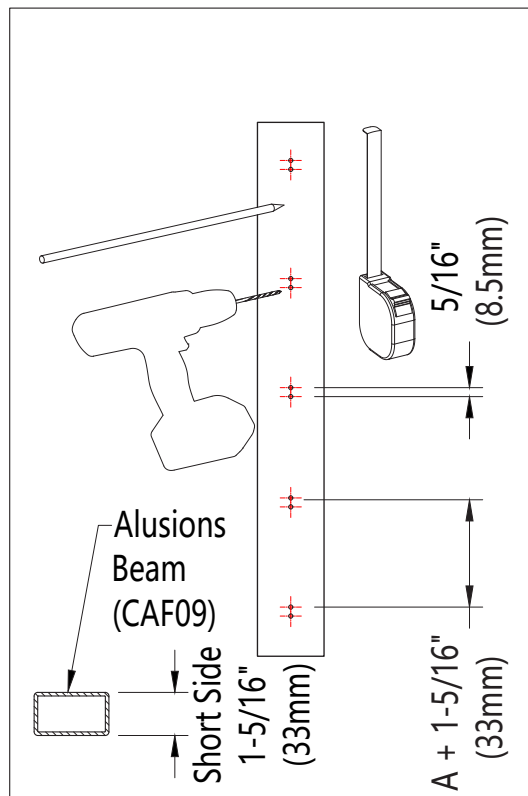


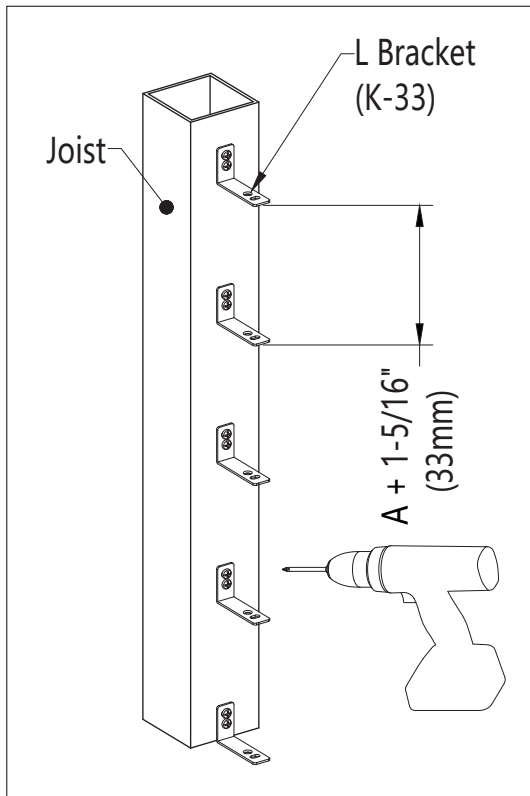
Diagram 5

- 2 Pre-drill the screw holes on the joist according to the gap distance A plus the length of the short side of the Alusions Beam (CAF09) and the hole position of the L Bracket (K-33), as shown in **Detail 5-1**.

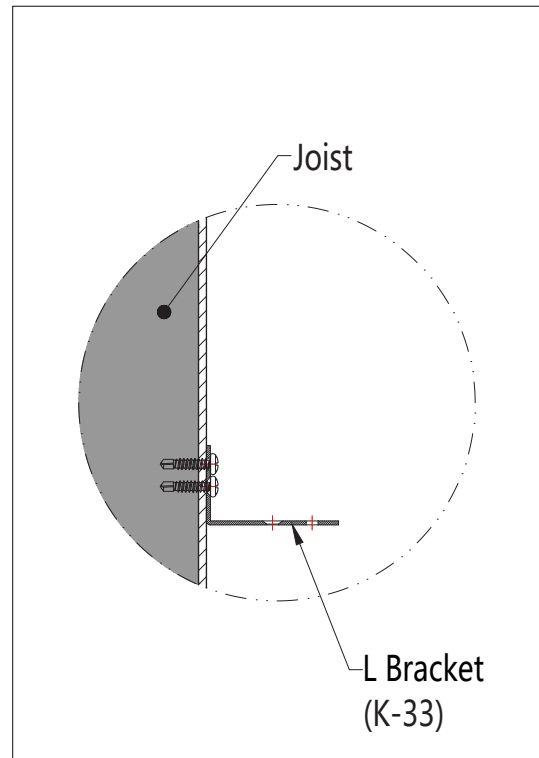


Detail 5-1

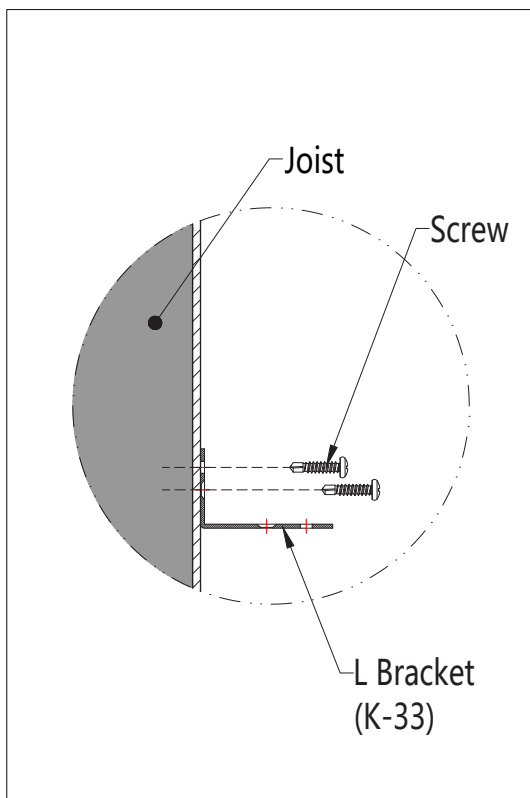
- 3 Fasten the L Bracket (K-33) onto the joist with screws, as shown in **Detail 5-2**, **Detail 5-3** and **Detail 5-4**. Then, fix the joists onto the wall or support structure with screws, as shown in **Diagram 5**.



Detail 5-2



Detail 5-4



Detail 5-3

4 Install the Alusions Beam (CAF09) onto the joists, as shown in **Diagram 6**.

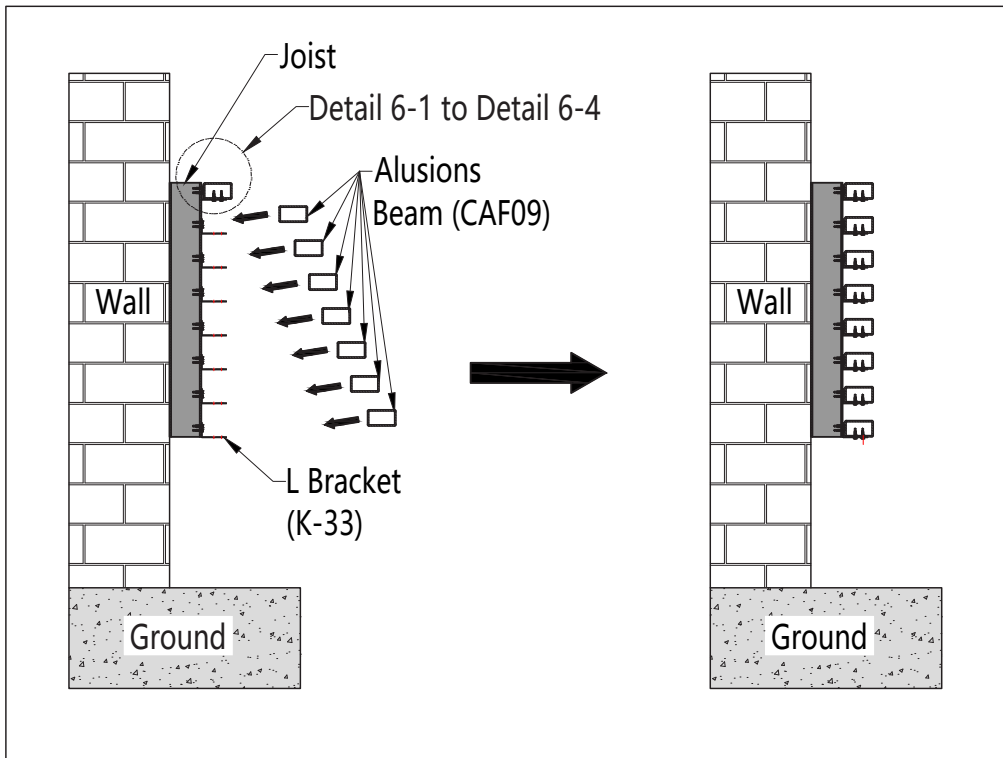
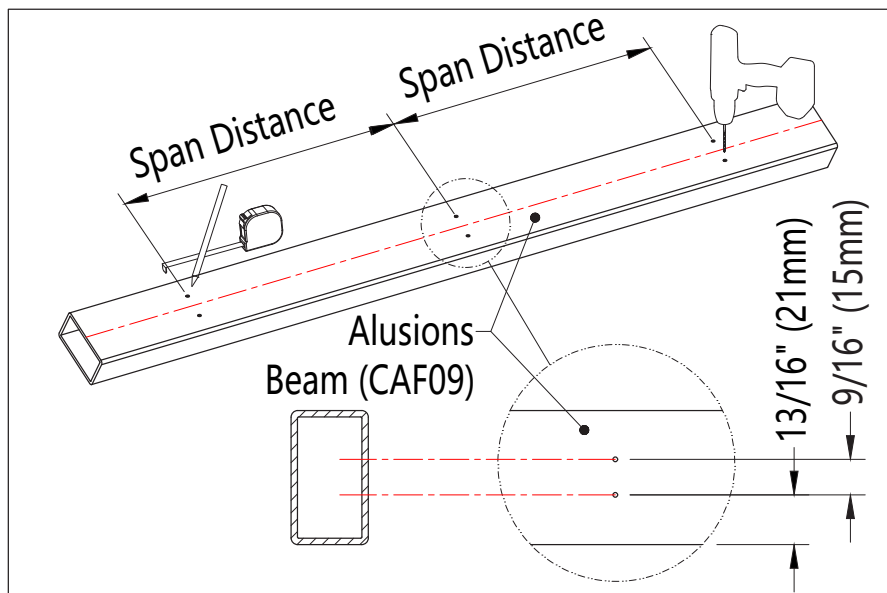


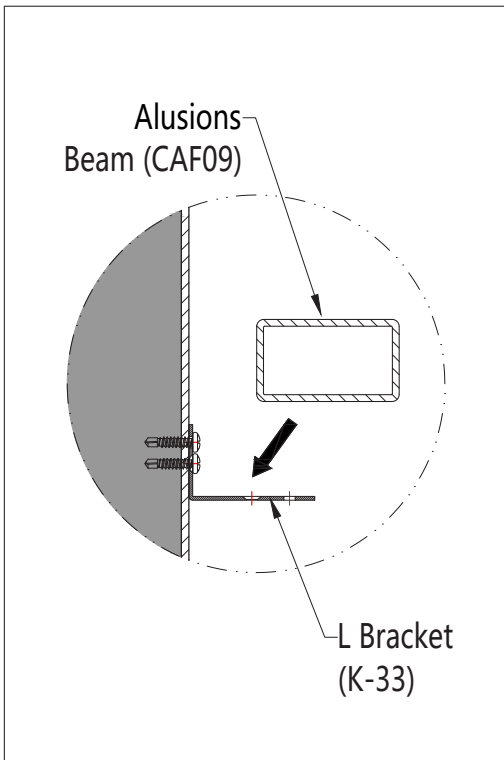
Diagram 6

Pre-drill the screw holes on the Alusions Beam (CAF09) according to the joist span distance and the hole position of the L Bracket (K-33), as shown in **Detail 6-1**.



Detail 6-1

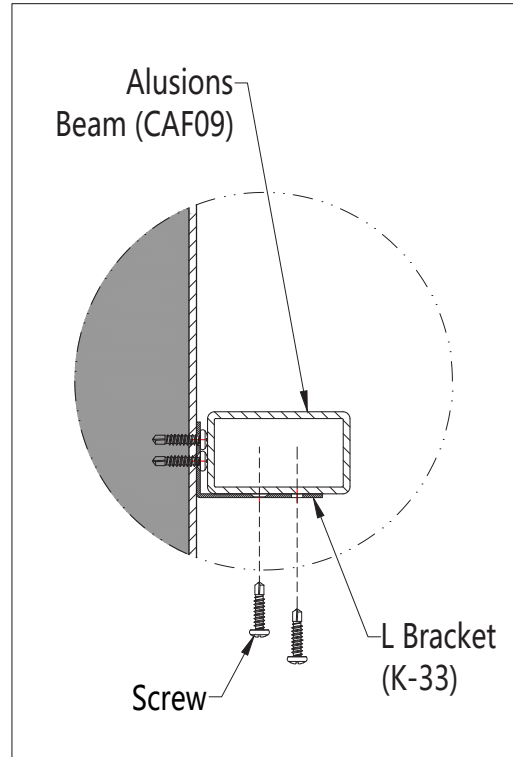
Put the Alusions Beam (CAF09) on the L Bracket (K-33) in place, as shown in **Detail 6-2**.



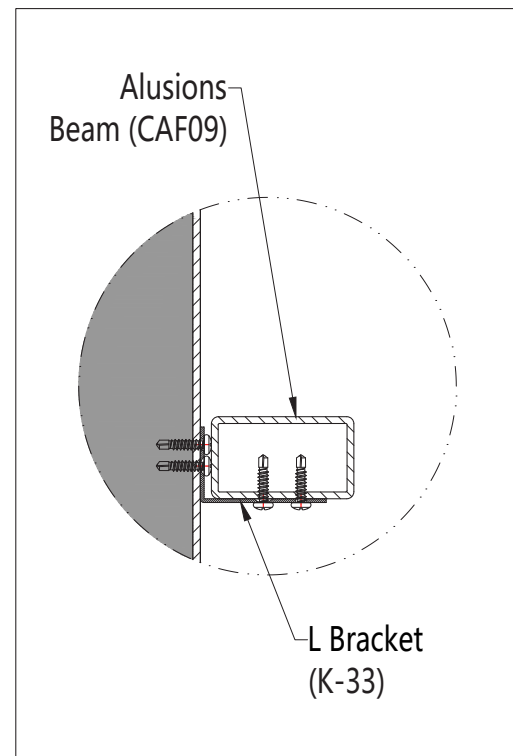
Detail 6-2

Use screws to fix the Alusions Beam (CAF09) security onto the L Bracket (K-33), as shown in **Detail 6-3** and **Detail 6-4**.

Repeat the above procedures to install the remaining Alusions Beams.



Detail 6-3



Detail 6-4

Alusions Beam Vertical Installation Installation Procedure

Step 1: Measure and Chalk the Joist

Step 2: Fixing the joist onto the wall or support structure

Step 3: Fixing the L Bracket (K-33) onto the Alusions Beam (CAF09)

Step 4: Installing the Alusions Beam

Two options for the Alusions Beam vertical installation are recommended, as shown in **Diagram B**.

Option 1: The Alusions Beam's short side is perpendicular to the joist.

Option 2: The Alusions Beam's short side parallels the joist.

Design the optimal distance, A, between the Alusions Beam to obtain your desired screen outlook, as shown in **Diagram B**.

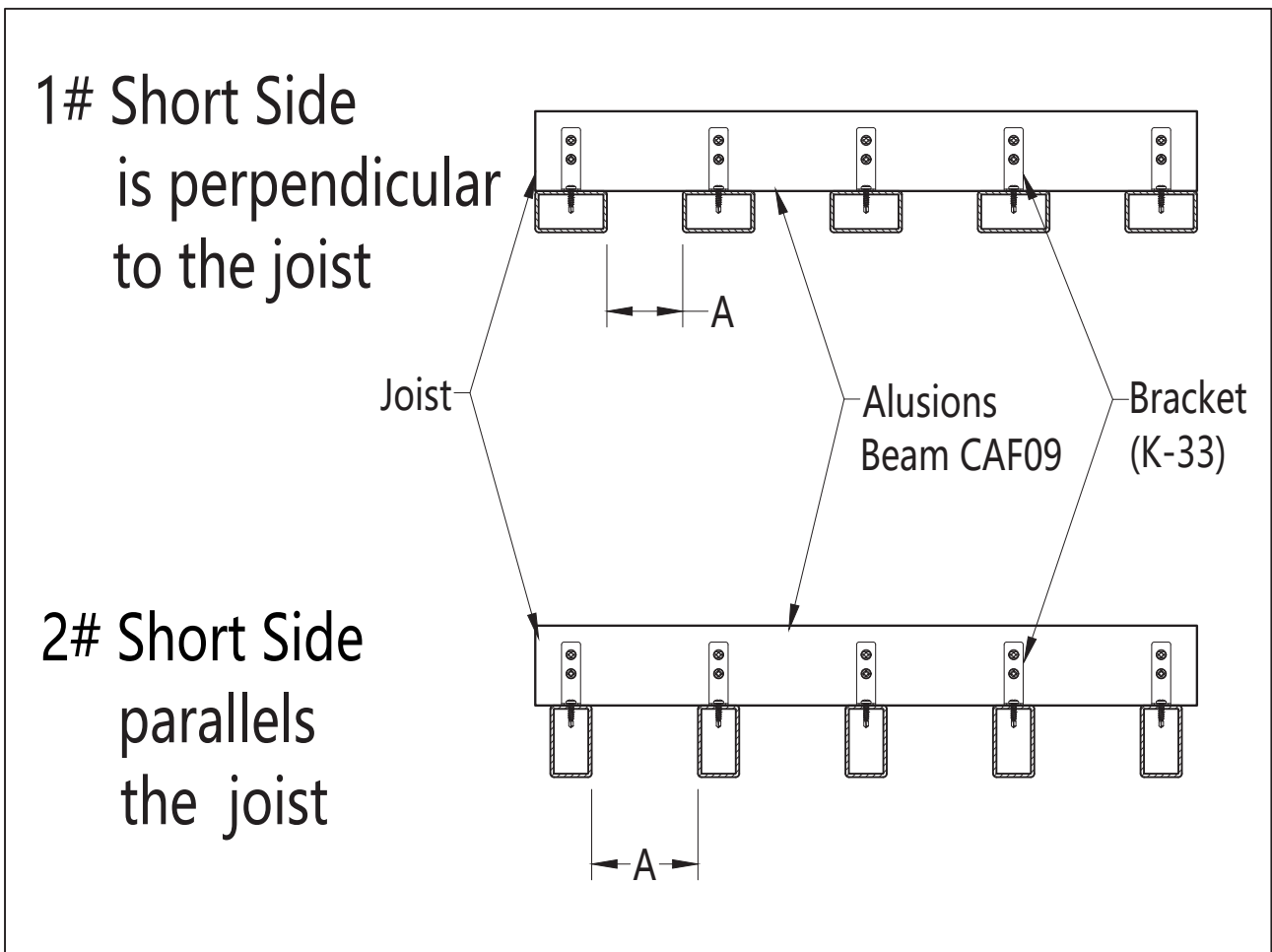


Diagram B

Installation

The maximum joist span is 9' 10-1/8" (3m) OC, and the maximum cantilever on both ends is 11-13/16" (300mm), as shown in [Diagram 7](#).

Please Note:

The installation procedure for the two options is the same. Please carefully read the instructions before the installation.

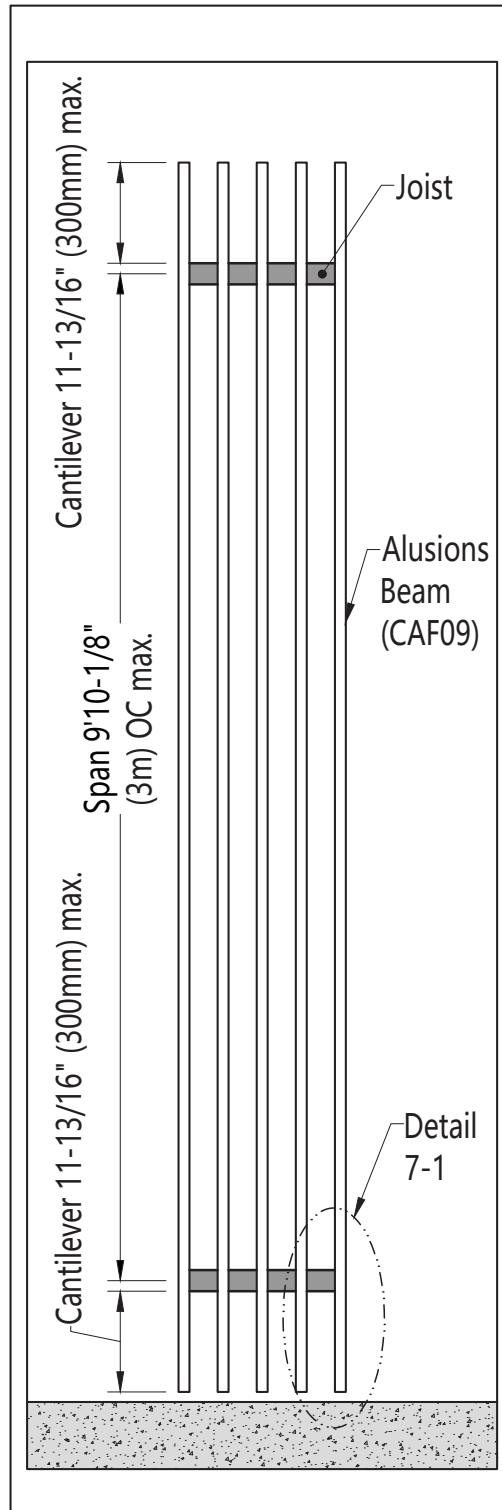
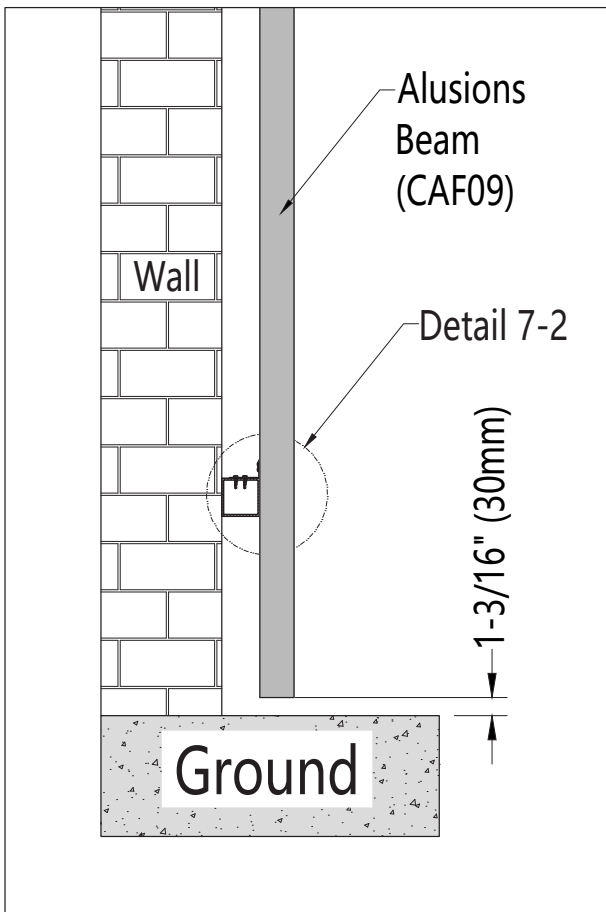


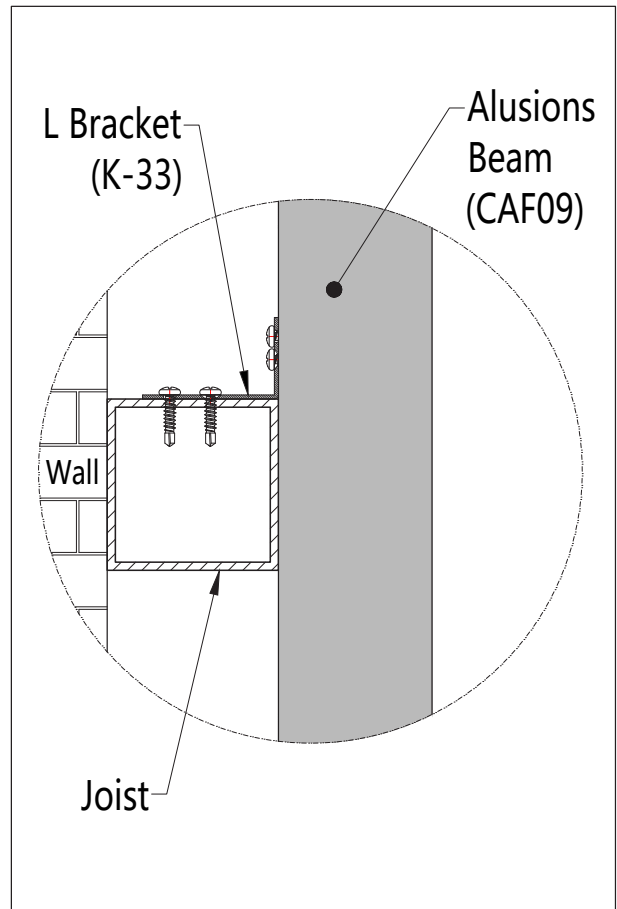
Diagram 7

The distance underneath the Alusions Beam bottom to the ground is 1-3/16" (30mm) min., as shown in **Detail 7-1**.



Detail 7-1

The Alusions Beam is fastened onto the joist using the L Bracket (K-33), as shown in **Detail 7-2**.



Detail 7-2

- 1 Measure and chalk the joist according to the joist span specified, 9' 10-1/8" (3m) max., as shown in [Diagram 8](#).

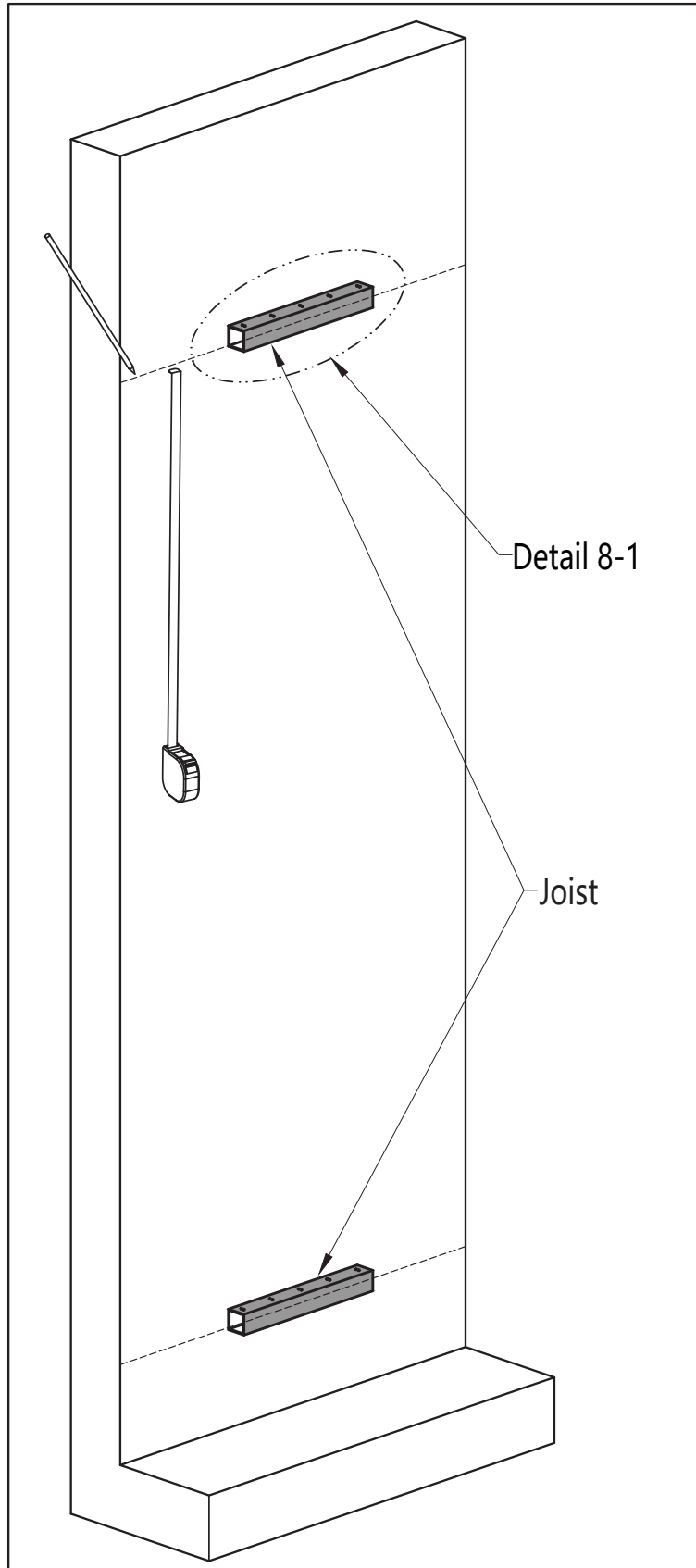


Diagram 8

Pre-drill the screw holes on the joist according to,

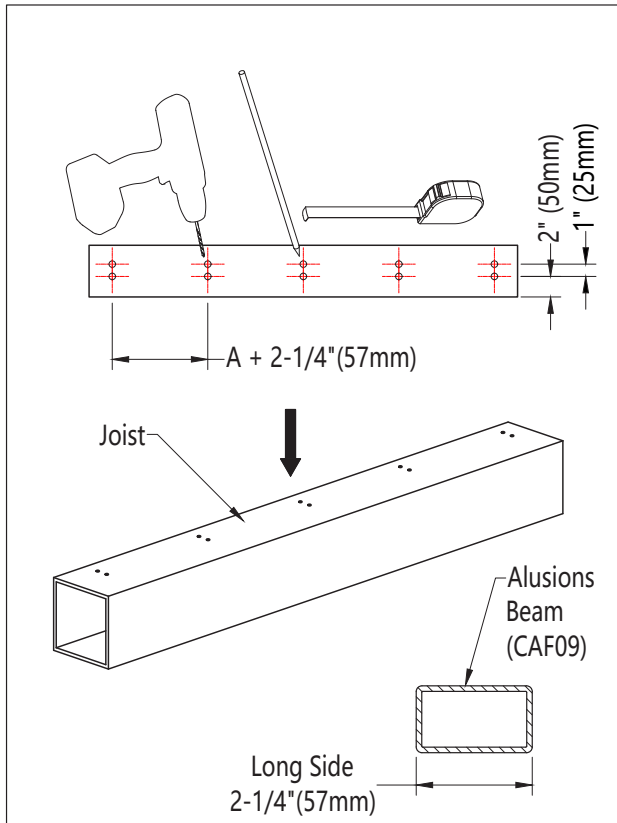
Option 1: The Alusions beam's short side is perpendicular to the joist

The gap distance A plus the length of the long side of the Alusions Beam (CAF09) and the hole position of the L Bracket (K-33), as shown in **Detail 8-1**.

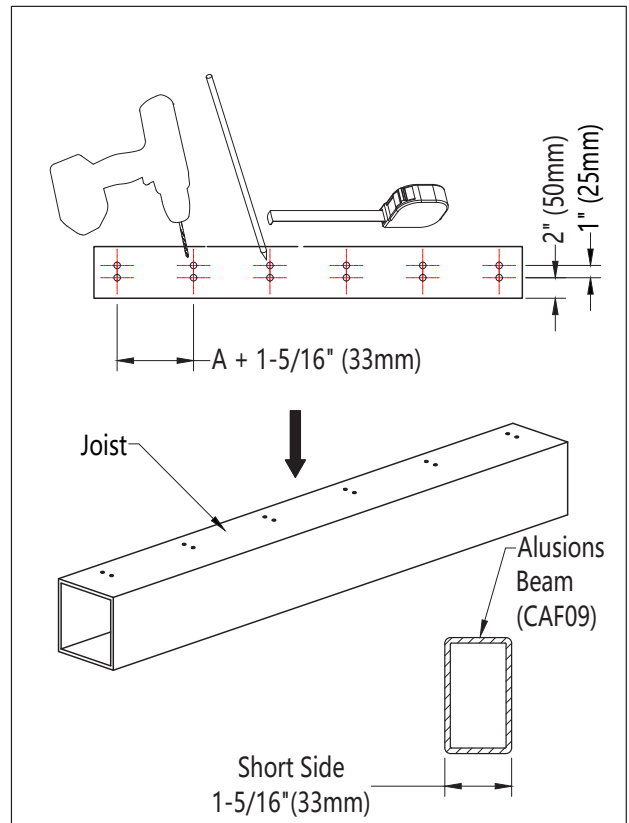
Option 2: The Alusions beam's short side parallels the joist

The gap distance A plus the length of the short side of the Alusions Beam (CAF09) and the hole position of the L Bracket (K-33), as shown in **Detail 8-2**.

Then, fix the joists onto the wall or support structure with screws, as shown in **Diagram 8**.



Detail 8-1



Detail 8-2

2 Install the Alusions Beam (CAF09) onto the joists, as shown in **Diagram 9**.

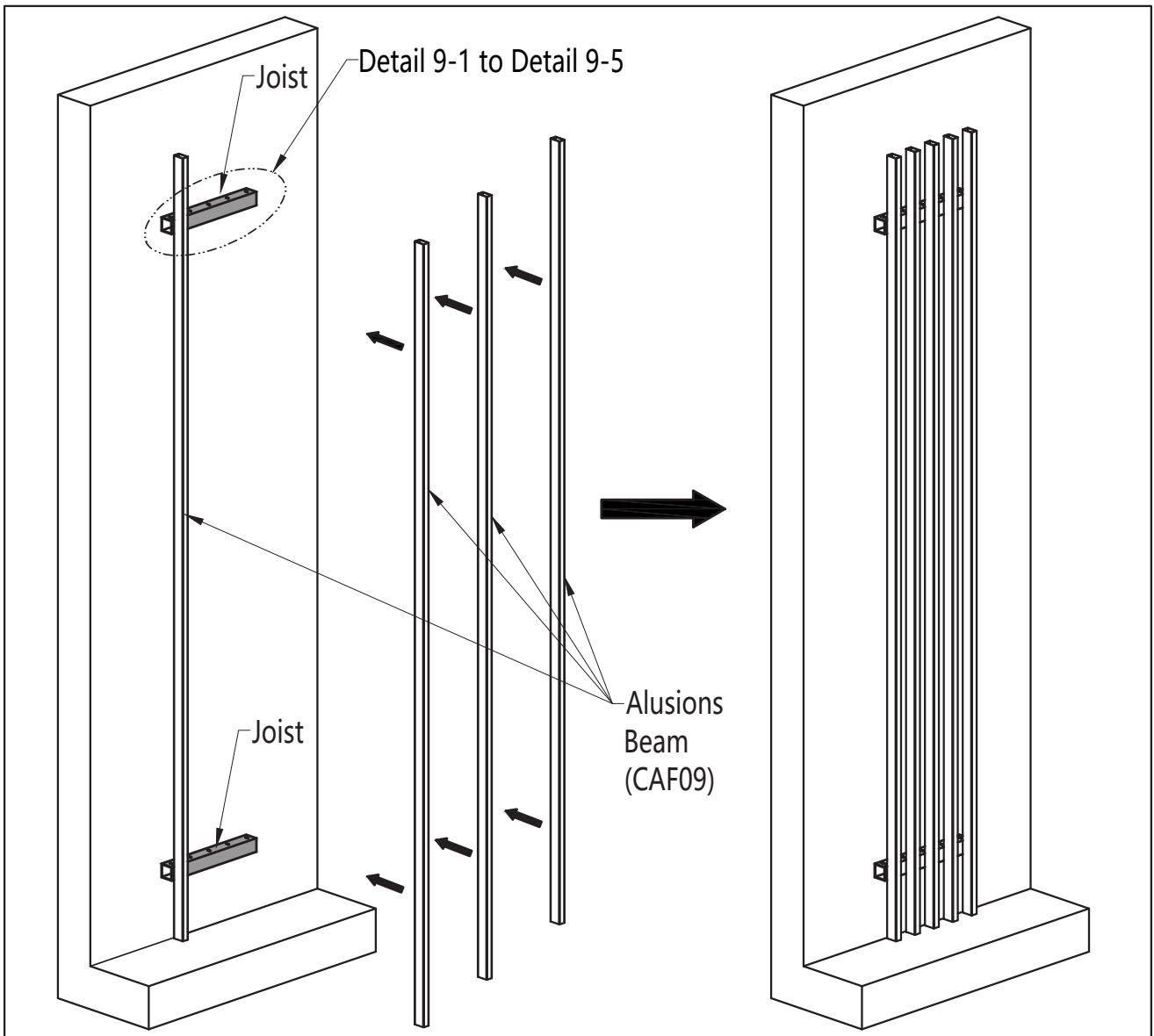
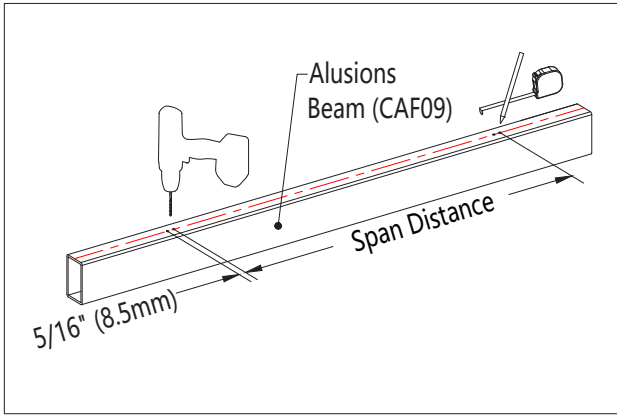
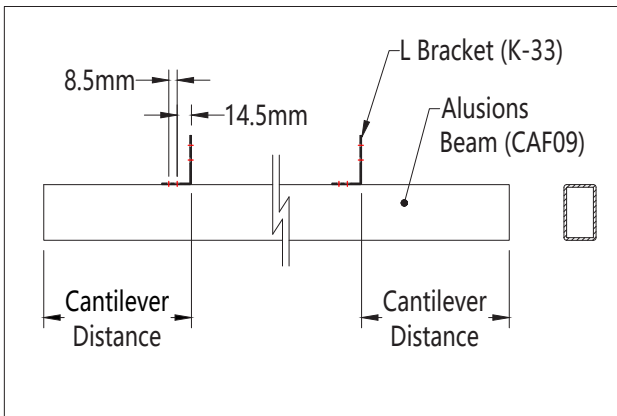


Diagram 9

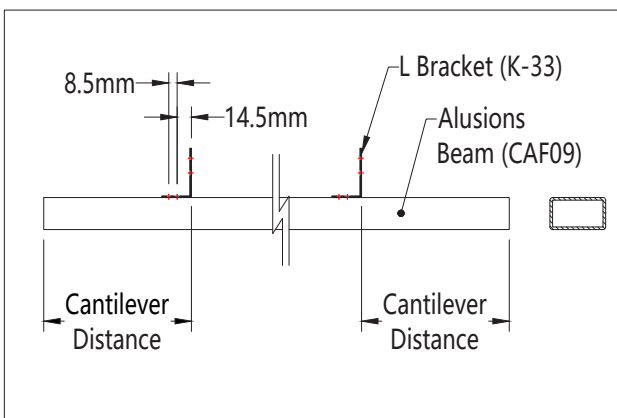
Pre-drill the screw holes on the Alusions Beam (CAF09) according to the joist span distance, the cantilever distance, and the L Bracket (K-33) screw holes distance, as shown in **Detail 9-1A**, **Detail 9-1B**, and **Detail 9-1C**.



Detail 9-1A

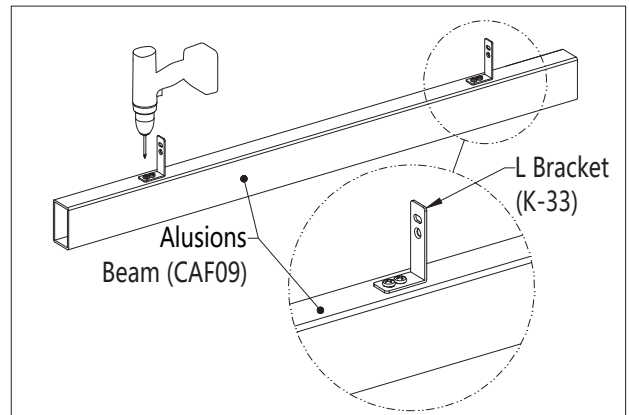


Detail 9-1B



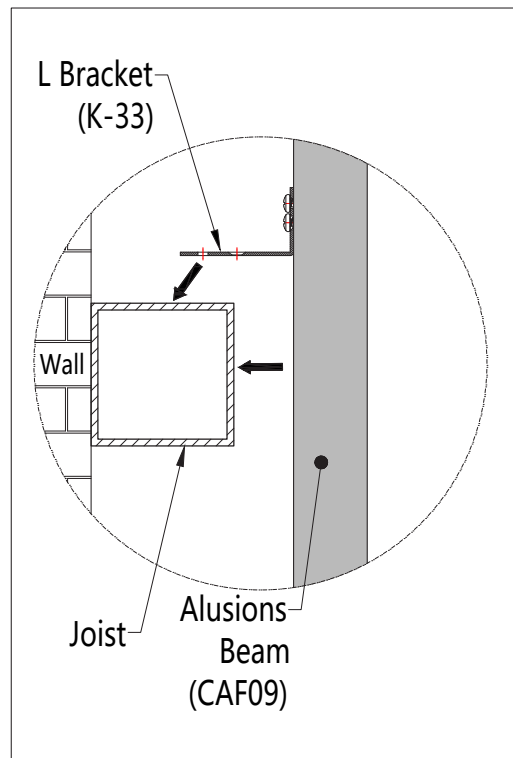
Detail 9-1C

3 Fix the L Bracket (K-33) onto the Alusions Beam (CAF09) with screws, as shown in **Detail 9-2**.



Detail 9-2

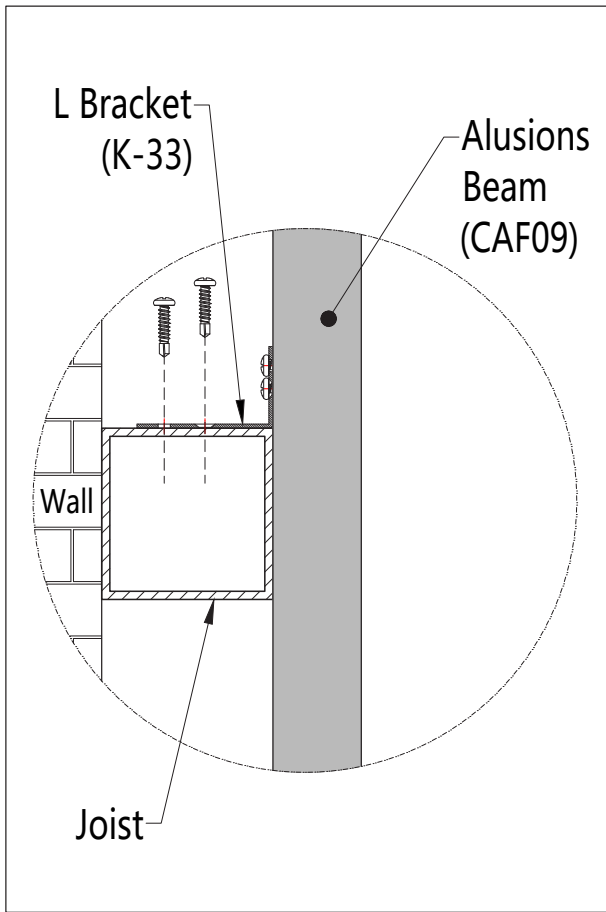
4 Put the Alusions Beam (CAF09) onto the joist in place, as shown in **Detail 9-3**.



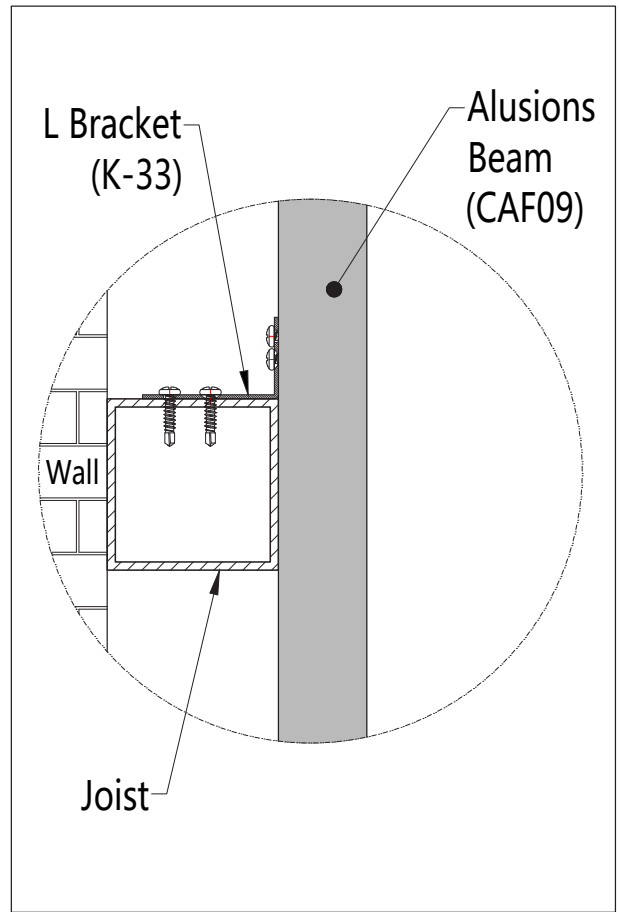
Detail 9-3

- 5 Use screw to fasten the L Bracket (K-33) that is fixed the Alusions Beam (CAF09) onto the joist , as shown in **Detail 9-4** and **Detail 9-5**.

Repeat the above procedures to install the remaining Alusions Beams.



Detail 9-4



Detail 9-5